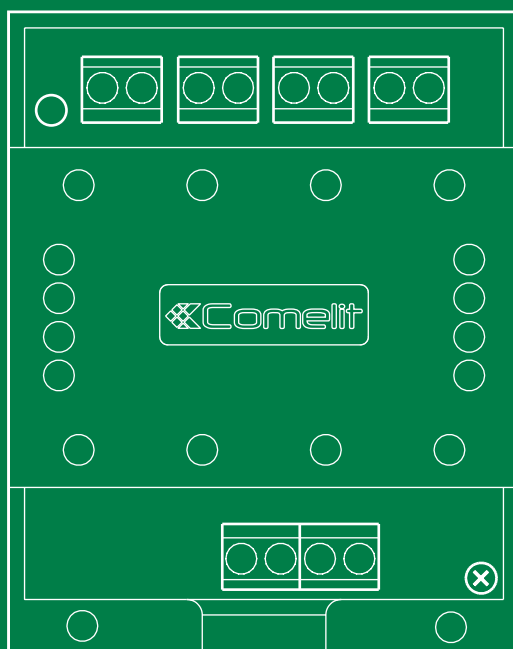


EN

TECHNICAL  
MANUAL



SBTOP distributor module  
with integrated protection line Art. 1415

 **Comelit**<sup>®</sup>  
Passion. Technology. Design.

# Warning

## Intended use

This Comelit product was designed for use in the creation of audio and video communication systems in residential, commercial or industrial settings and in public buildings or buildings used by the public.

## Installation

All activities connected to the installation of Comelit products must be carried out by qualified technical personnel, with careful observation of the indications provided in the Manuals / Instruction sheets supplied with those products.

## Wires

Cut off the power supply before carrying out any maintenance procedures.

Use wires with a cross-section suited to the distances involved, observing the instructions provided in the system manual.

We advise against running the system wires through the same duct as the power cables (230V or higher).

## Safe usage

To ensure Comelit products are used safely:

- carefully observe the indications provided in the Manuals / Instruction sheets
- make sure the system created using Comelit products has not been tampered with / damaged.

## Maintenance

Comelit products do not require maintenance aside from routine cleaning, which should be carried out in accordance with the indications provided in the Manuals / Instruction sheets.

Any repair work must be carried out

- for the products themselves, exclusively by **Comelit Group S.p.A.**,
- for systems, by qualified technical personnel.

## Disclaimer

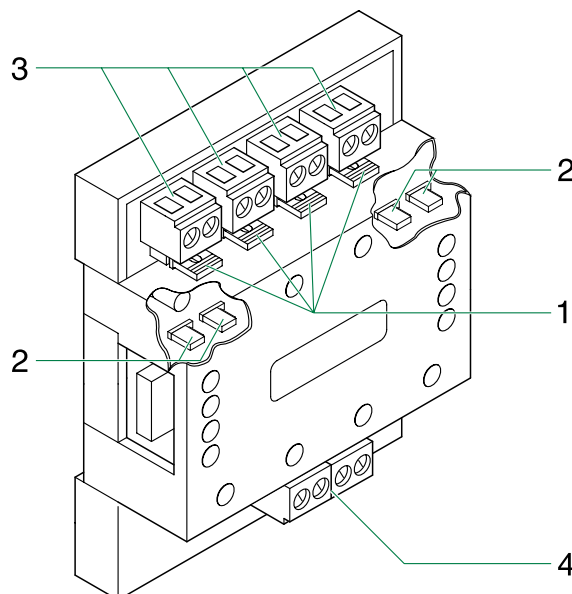
**Comelit Group S.p.A.** does not assume any responsibility for

- any usage other than the intended use
- non-observance of the indications and warnings contained in this Manual / Instruction sheet.

**Comelit Group S.p.A.** nonetheless reserves the right to change the information provided in this Manual / Instruction sheet at any time and without prior notice.

# Description

Art. 1415 is used to branch up to 4 internal units on the riser (with a different address for each output) and also acts as a line protection, isolating the branches in the event of power surges or short circuit. The device can be used with SBTOP wiring and, as it is powered by the 2-wire bus, it does not need any additional power supply. MAX. 100 users can be connected to each mixer Art. 4888C regardless of the number of Art. 1415 used, and MAX. 3 internal units can be connected in cascade for each output of Art. 1415.



- 1. **JP1 (L4L4), JP3 (L3L3), JP5 (L2L2), JP7 (L1L1)** jumper to reinstate the branch line after a short circuit.
- 2. **JP2 (L4L4), JP4 (L3L3), JP6 (L2L2), JP8 (L1L1)** jumper for setting of connection distances.
- 3. **L1L1, L2L2, L3L3, L4L4** branch line output terminals.
- 4. **L IN L IN** BUS line input.  
**L OUT L OUT** BUS line output.

## Technical features

### MAIN FEATURES

Product height (mm)	35
Product width (mm)	60
Product depth (mm)	85
Operating temperature (°C)	-25° ÷ 50°
RH max operating humidity (%)	25 ÷ 75
DIN rail mounted	Yes
DIN modules (no.)	4
Power supply voltage (V)	Bus line

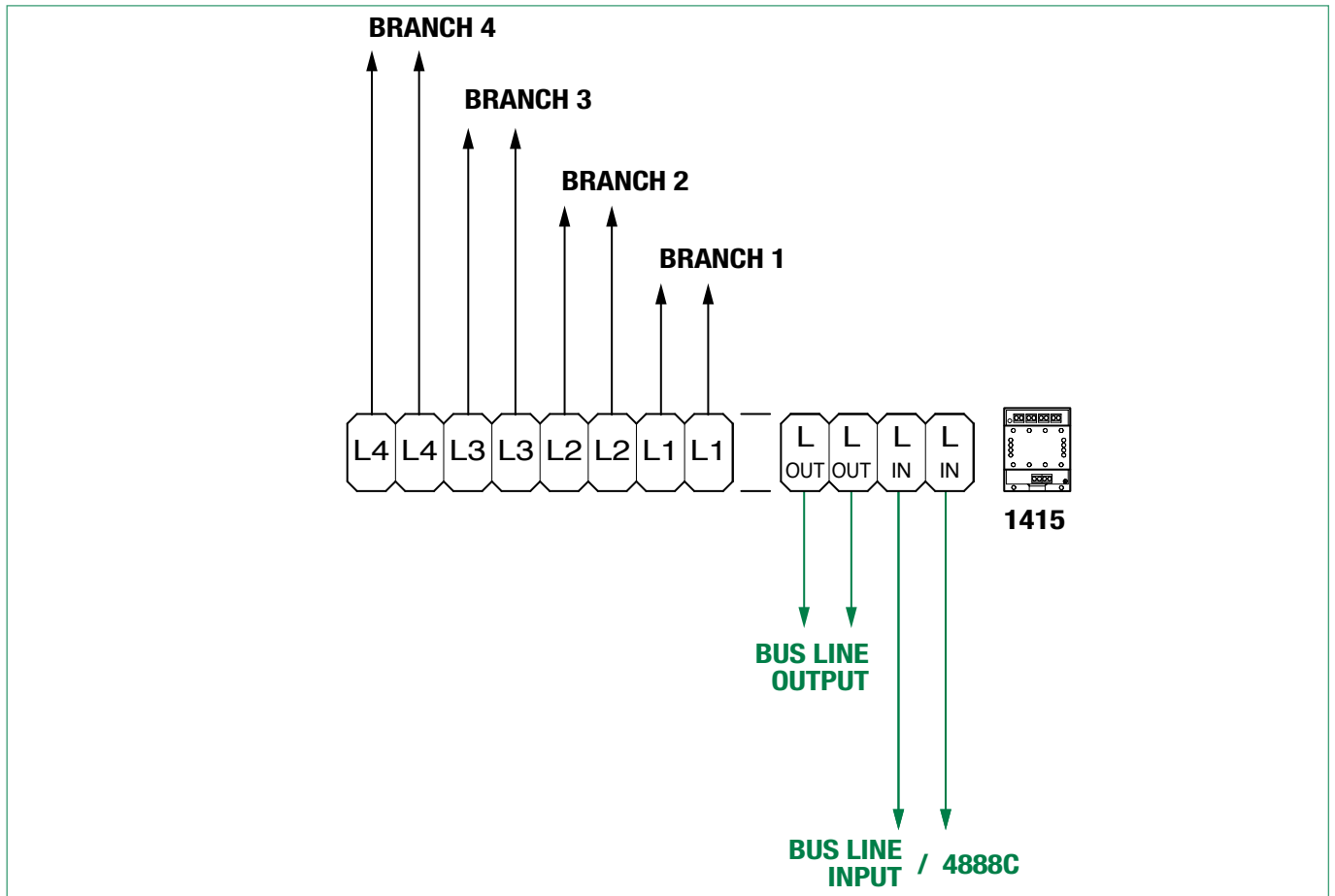
### GENERAL DATA

Type of finish	Plastic
Product colour	White

### COMPATIBILITY

Simplebus Top audio/video system	Yes
----------------------------------	-----

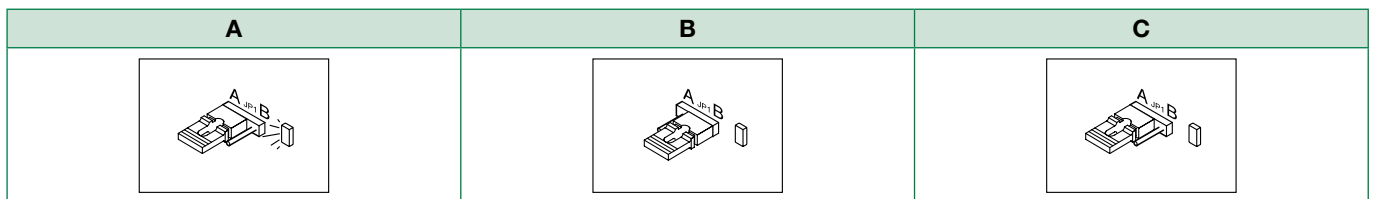
# Connection



# Operation and Programming

## Line protection function

The line protection function allows the branch line to be automatically isolated in case of short circuit. If this occurs, the corresponding output LED lights up to signal the fault (Fig. A). To reinstate the line, after eliminating the problem it is necessary to move the output jumper to position B until the LED (Fig. B) goes off, then move the jumper to position A (Fig. C).



## Jumper setting for connection distances

Depending on the type of cable used and the distance between the furthest internal unit of the user branch and the mixer, the jumper of the output in use must be arranged according to the settings given in Table 1.

For all other distances refer to: [SBTOP audio/video system](#).

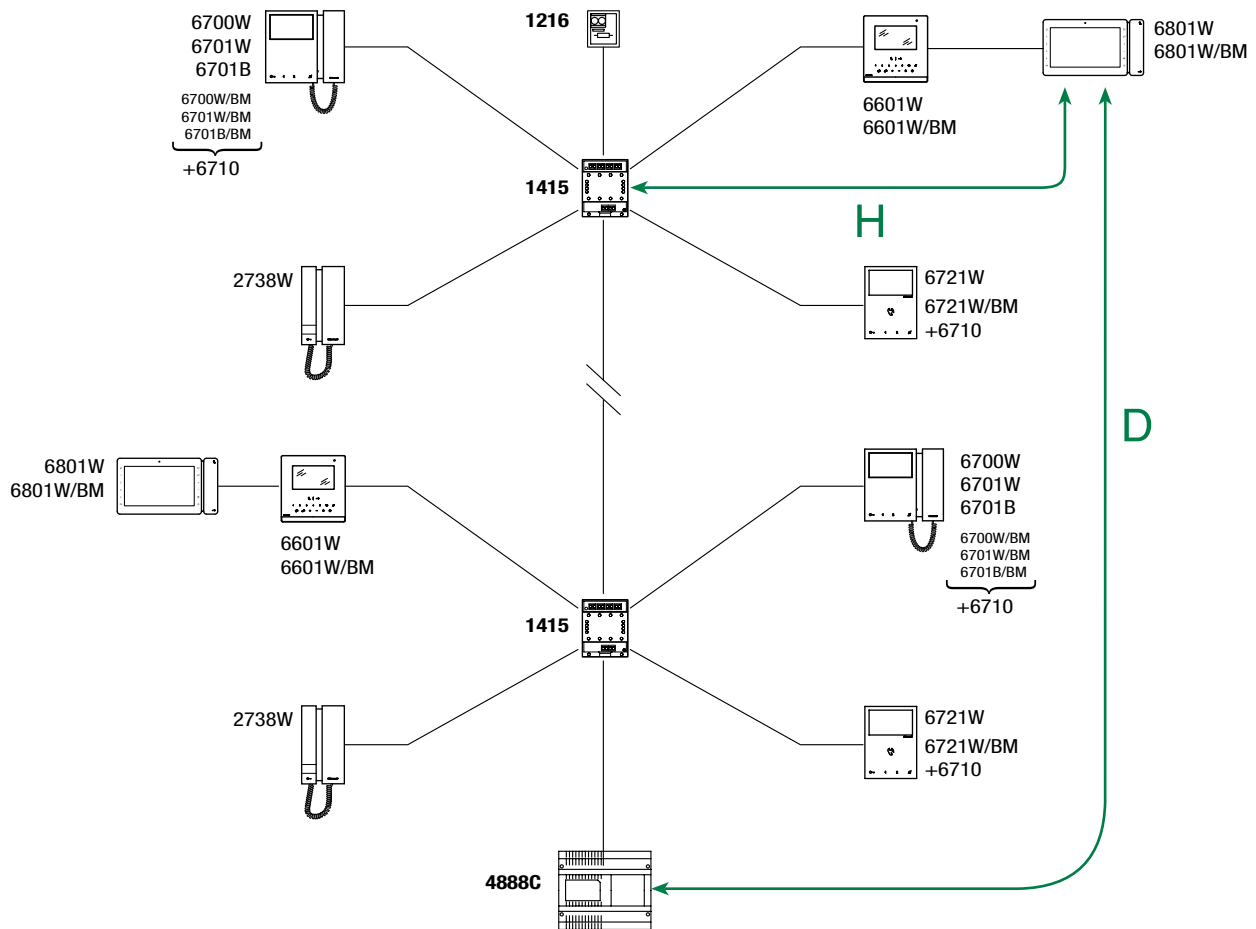








Table 1	Max. distance between Art. 1214/2C and the furthest internal unit	Max. distance between Mixer and the furthest internal unit	Position of jumper JP2, JP4, JP6, JP8
	H	D	
Comelit Art. 4577/4579 1 mm <sup>2</sup> (Ø 1,2 mm AWG 17) 	60 m (195 feet)	200 m (650 feet)	Pos A
1,5 mm <sup>2</sup> (Ø 1,4 mm AWG 15) 	40 m (130 feet)	150 m (495 feet)	Pos A
1 mm <sup>2</sup> (Ø 1,2 mm AWG 17) 	30 m (95 feet)	120 m (390 feet)	Pos A
0,28 mm <sup>2</sup> (Ø 0,6 mm AWG 23) 	40 m (130 feet)	70 m (225 feet)	Pos A
		100 m (325 feet)	Pos B
UTP5 cat. 5 0,2 mm <sup>2</sup> (Ø 0,5 mm AWG 24) 	40 m (130 feet)	50 m (160 feet)	Pos A
		80 m (260 feet)	Pos B
0,5 mm <sup>2</sup> (Ø 0,8 mm AWG 20) 	40 m (130 feet)	80 m (260 feet)	Pos A
		120 m (390 feet)	Pos B

## System performance and layouts

For further information of system performance and to view installation layouts, click on the system type that best meets your requirements:

- [SBTOP audio/video system](#) for the creation of audio-video systems for residential complexes.

CERTIFIED MANAGEMENT SYSTEMS



[www.comelitgroup.com](http://www.comelitgroup.com)

Via Don Arrigoni, 5 - 24020 Rovetta (BG) - Italy

 **Comelit**<sup>®</sup>  
Passion. Technology. Design.