


TECH SHEET

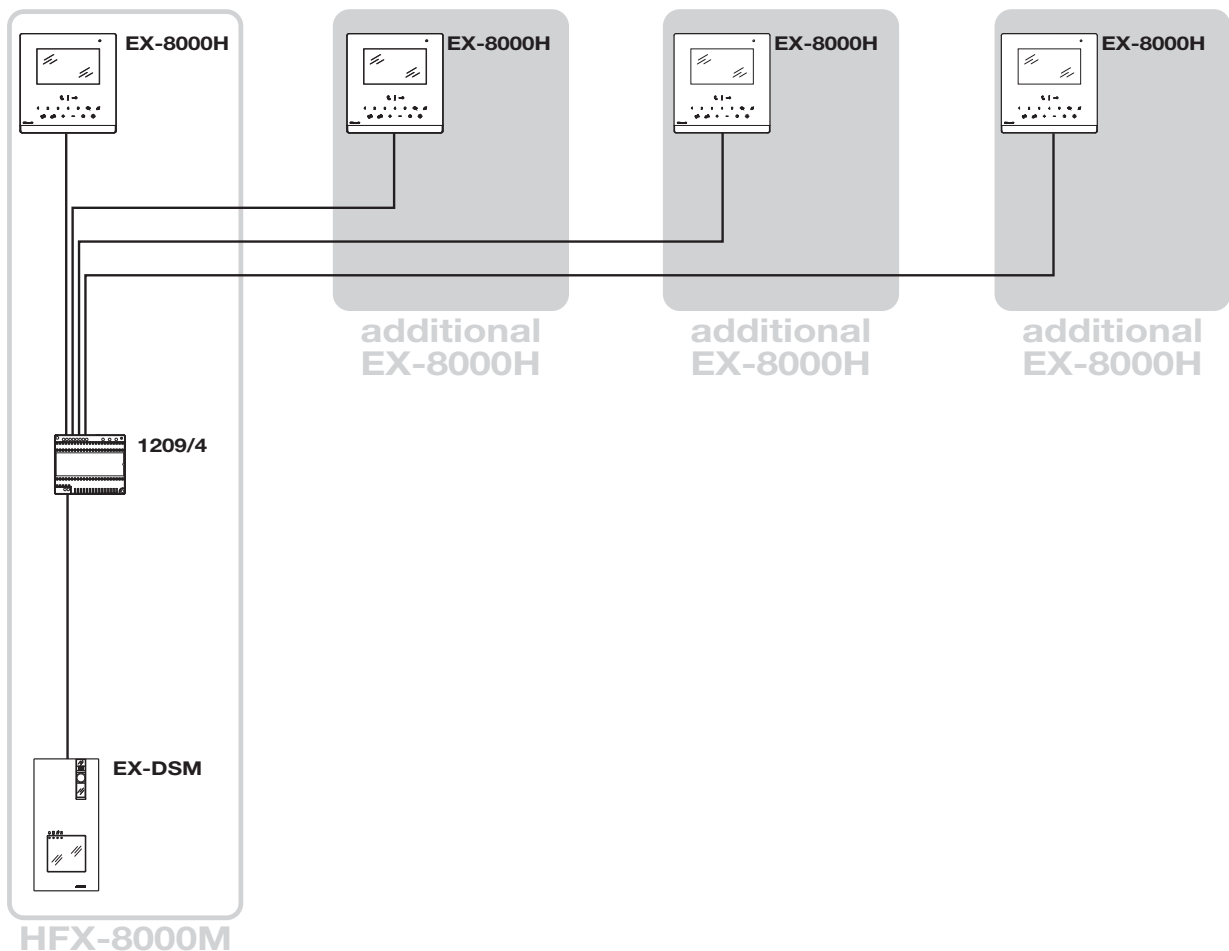
Expansion Monitor - EX-8000H



The **EX-8000H** is the Additional Internal Unit for Single-User Kit **HFX-8000M**

	<p>EX-8000H</p>	<p>HANDS-FREE COLOR MONITOR</p> <ul style="list-style-type: none"> • Flush-mounted (accessory for mounting included) • Surface-mounted (accessory for mounting included) • Color monitor with 4.3" 16:9 Wide-Screen • Hands-free full-duplex audio • Touch-sensitive controls • Adjustment of brightness level, contrast, audio volume and ringtone volume • Customizable ringtones • Fitted as standard with a key button, enable/disable audio button/paging call button with corresponding indicator LEDs and a further 7 programmable buttons for self-ignition, privacy service and other programmable functions. • Manages floor door call and call repetition. • Complete with 2 x 8-position DIP SWITCHES for user code programming and button programming.
---	------------------------	--

MAXIMUM EXPANSION INTERNAL UNITS FOR KIT HFX-8000M



SPECIFICATIONS ART. EX-8000H

DIMENSIONS (WITH BRACKET)

Width	5.59 in
Height	5.78 in
Depth	0.96 in
Weight	21 oz

HARDWARE

Buttons	15
Display size (inches)	4.3"
B/W or color display	color screen
Display resolution (H x V)	480x272pixel
Type of display	LCD
LCD Ratio	16:9 Wide-screen Format

ENVIROMENTAL

Operating Temperature	Class B1 normal range indoor 41° F /104° F (5°C / 40°C)
------------------------------	---

ELECTRICAL SPECIFICATIONS

Maximum current absorption (mA)	400
Power consumption	15 W MAX

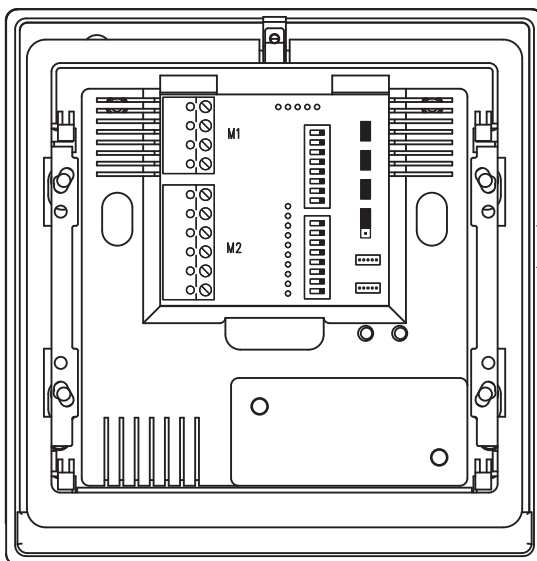
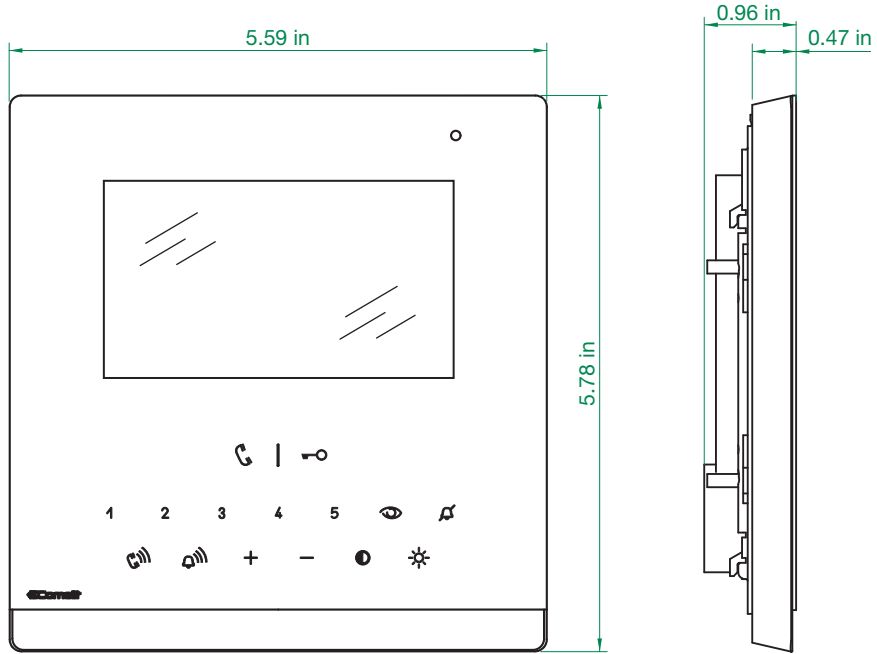
OTHER INFO

Sensitive Touch technology
Surface-mounted
Flush-mounted

FUNCTIONS

Privacy function
Floor door call function
Actuator control function
Privacy conversation function
Intercom function (Auto Timer intercom= 300 sec)
Paging function
Lock-release key function
Self-ignition
Full Duplex hands-free function
Automatic answer mode
Display brightness control
Display contrast control
Loudspeaker volume control
Ringtone volume control
Customizable ringtone

UNIT DIMENSIONS



www.comelitgroup.com

