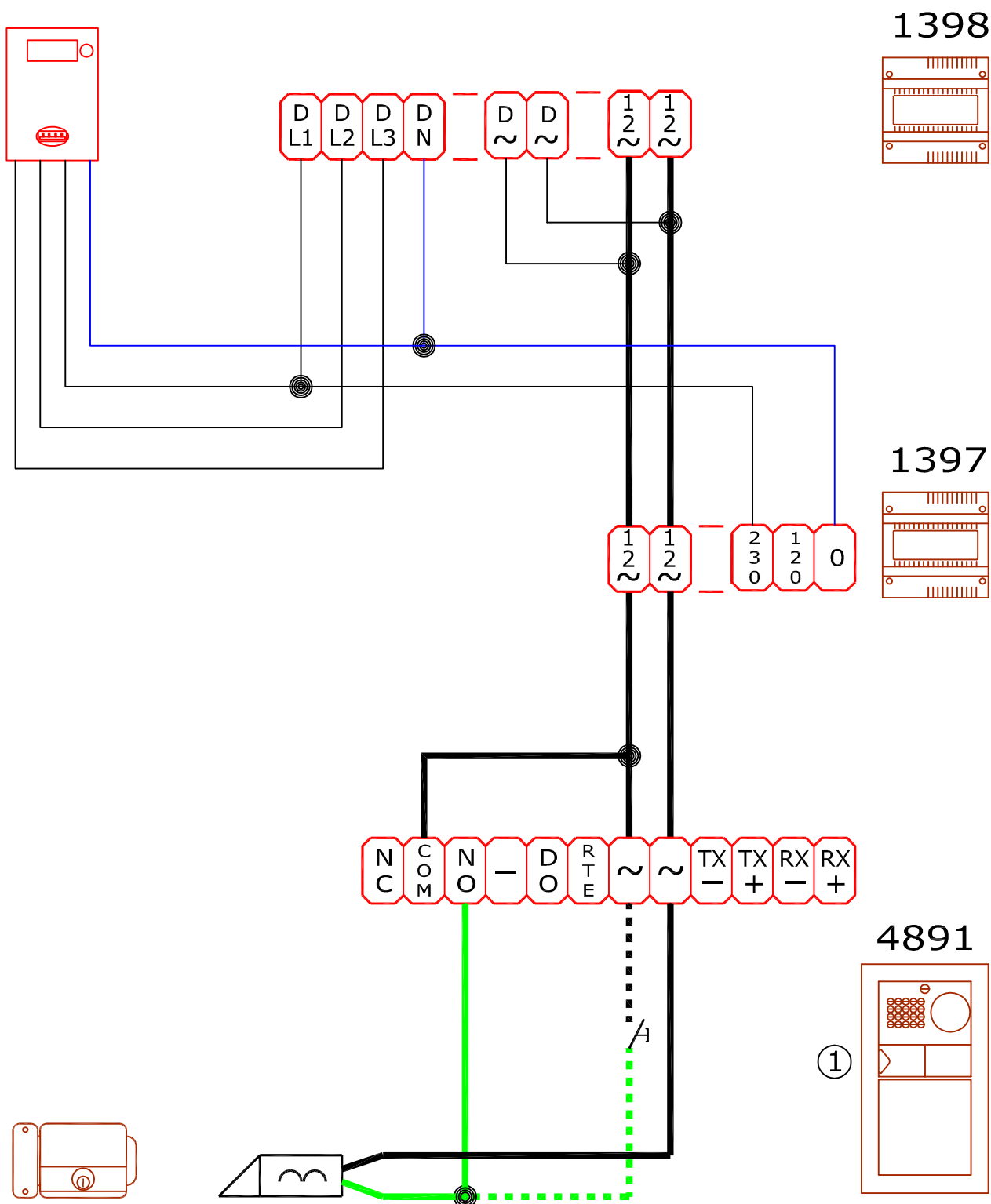
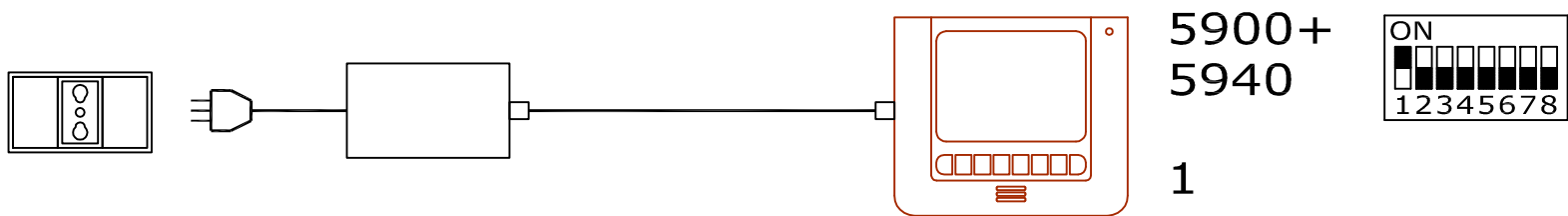
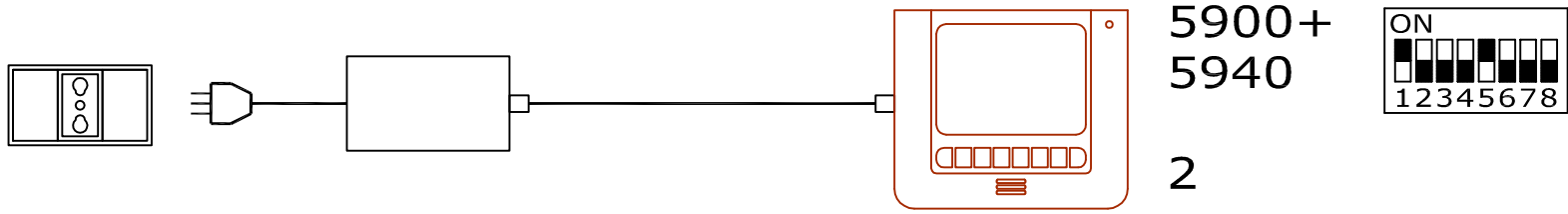


1



**PWK/05**  
MONOFAMILIARE 3F