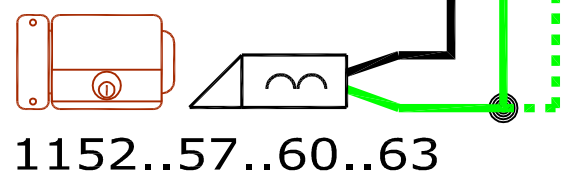
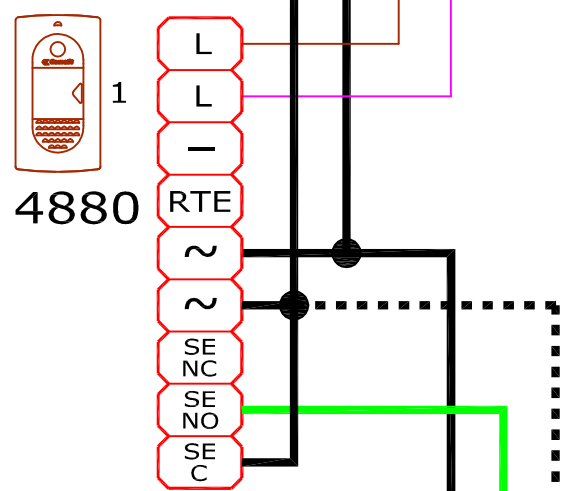
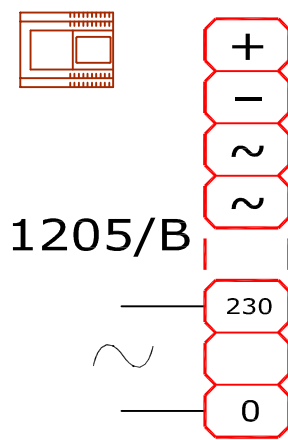
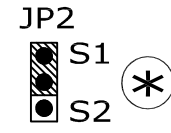
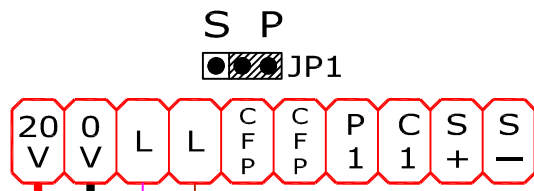
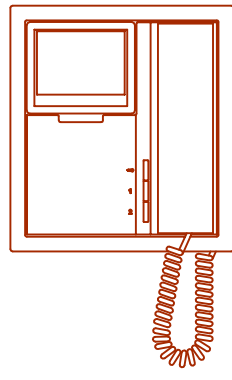


5801+  
5814K



GK/01