

41ECN000 - Installation Instruction

ATTENTION: Carefully read through this manual prior to installing the device! This manual is subject to change without notice!



Comelit Group S.p.A.
 Via Don Arrigoni 5 - 24020 Rovetta
 S. Lorenzo BG Italy
 tel. +39 0346 750 011
 fax +39 0346 71436
 info@comelit.it

General Information

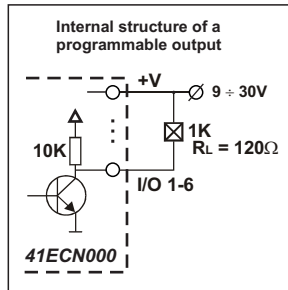
41ECN000 is LAN communication module, designed for operation via serial communication with ATENA EASY fire alarm panel. The module transmits the incoming events to ATENA MANAGER monitoring software through LAN network. The general application of the module is to send messages for events to monitoring center or end-user. The module is mounted into the ATENA EASY metal box. The programming of 41ECN000 is via ATENA PROG programming software.

Initial power-up

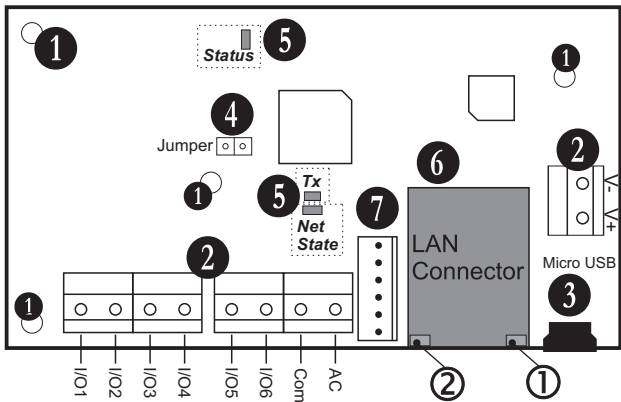
1. Update the Atena Easy firmware to 3.8.3 or higher;
2. Switch off the power supply of the Atena Easy Panel;
3. Connect the LAN Module to the panel: use the serial flat interface cable to connect to ATENA EASY Panel;
4. Turn on the power supply;
5. Load the LAN module in the System tree of Atena Prog. Connect to the Module with micro USB and read the parameters (PC ID "1234" from default);
6. After reading, in General Settings put for Control Panel Type – "Fire Panel" and Enable the Modbus Server;
7. In Network Settings set Manual settings, then type the desired IP address, NetMask and Gateway;
8. Write the parameters to the panel (PC ID "1234", User Code "0000");
9. Connect the Ethernet cable to the LAN module connector;
10. Set manually the IP parameters on Atena Easy panel;
11. Wait until the 41ECN000 module enters into normal operation mode - the Status LED is blinking green and the Net State LED lights on in green. The time for initial power-up is up to 90 sec.;
12. After, connecting with Atena Manager, set manually IP parameters and uploading the TDF file programming of the panel.

Technical Specifications

- **Main power supply:** 9-30VDC;
- **Reversed polarity protection;**
- **Current consumption:**
 - Normal operation mode (standby): 80mA
 - Maximal consumption: 150mA
- **6 Programmable In/Out:** OC type
- **Micro USB input** for programming
- **Operating temperature:** 0°C + +60°C
- **Restoring of the factory defaults**
- **Dimensions:** 50x90mm
- **Parameters of the inputs:**
 - Permissible input voltage: 0 - 20V
 - Signal filtering period: 300ms
 - Threshold of operation: 1.3V
 - Hysteresis: ±0.4V



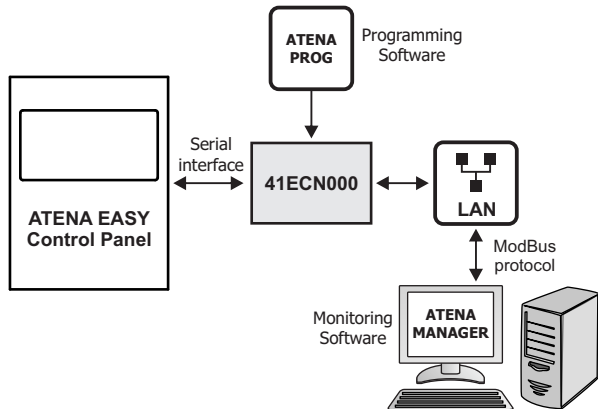
1 Elements Description



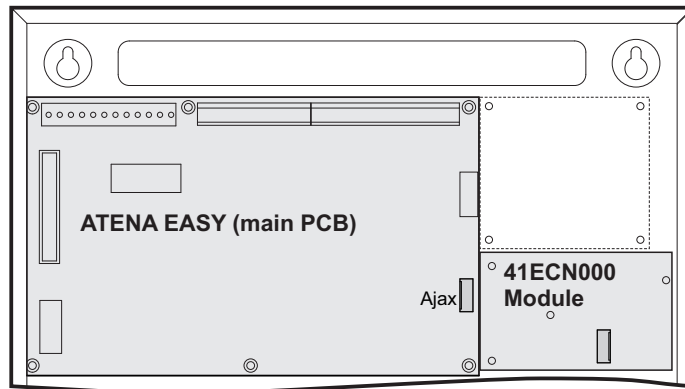
- ① - Mounting holes.
- ② - Terminal row:
 ± V - Power supply 9-30VDC - not used!
 Attention: The power supply is from the panel via the serial interface cable!
 I/O1-6 - Programmable input/output (via ATENA PROG);
 Com - Common Ground;
 AC - Not used.
- ④ - Jumper to restore of the factory settings*.
- ⑤ - LED Indication**:
 Status - LED for status of the connection with ATENA EASY panel;
 Tx - LED for indication of transmitting events to ATENA MANAGER;
 Net State - LED for the state of the connection with ATENA EASY panel.
- ⑥ - LAN network connector:
 ① - LED LAN Action (green);
 ② - LED LAN Link (yellow).
- ⑦ - Serial interface for connection to ATENA EASY.

* Put a jumper to reset the module parameters by default.
 ** The detailed description of the LED indication is shown on page 2.

2 Functinal diagram

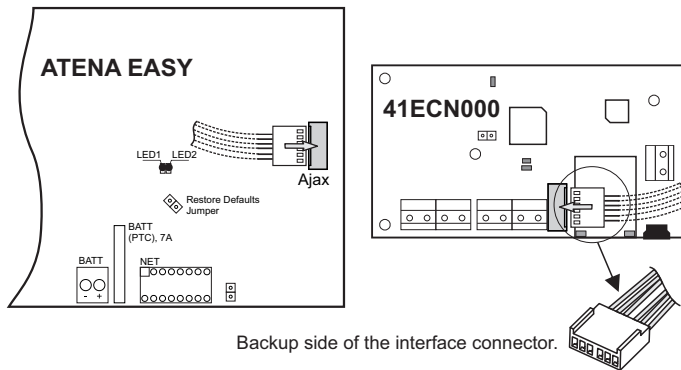


3 Mounting



4 Connection diagram

The serial connection between the 41ECN000 module and control panel ATENA EASY is done with a flexible flat cable included in the spare parts kit - 300mm long. Connect the cable to the 6-pin interface terminal (Ajax) on the control panel ATENA EASY. The module is powered on from the control panel via the serial interface cable.



5 LED Indication

LED	Indication		Description
Status (green/red)	Blinking	Red	No connection with ATENA EASY panel.
		Green	Successful connection with ATENA EASY panel.
Tx (yellow)	Short blinks		Transmitting of an event to ATENA MANAGER monitoring software.
Net State (green/red)	Lights ON	Red	No connection between 41ECN000 and ATENA MANAGER monitoring software.
		Green	Successful connection between 41ECN000 and ATENA MANAGER monitoring software.
RJ-45 (LAN connector indication)	Blinking	Red/ Green	Transmitting of an event to ATENA MANAGER monitoring software. (The LED is blinking successively from red to green; the Tx LED is also blinking).
		Green	LED LAN Action. The LED is blinking when there is activity on the link; otherwise, the LED is off.
RJ-45 (LAN connector indication)	Yellow	Green	LED LAN Link. The LED is on when there is a link connection; otherwise, the LED is off.
		Yellow	LED LAN Link. The LED is on when there is a link connection; otherwise, the LED is off.