

WALL/CEILING MOUNT BRACKET

ART. 40732 – 40734



ART.40732



ART. 40734

Please read this manual thoroughly before use
and keep it for future reference.

1. ASSEMBLY PARTS LIST

ITEM	Q' TY	PART NAME	DESCRIPTION
1	3	PLASTIC BUSING	ANCHOR (Ø 6.0mm)
2	2	MACHINE SCREW	UNC #8-32 SCREW (L=8mm)
3	1	PLATE	GI 1.6t
4	1	MOUNT BASE	PF 1" , ALUMINUM
5	3	SCREW TAPPING	M6, L = 35.0mm
6	1	90° ANGLE TYPE PIPE or	PF 1" , ALUMINUM
7	1	STRAIGHT PIPE	PF 1" , ALUMINUM
8	1	HOUSING	PF 1" , ALUMINUM
9	1	GASKET 1	
10	1	GASKET 2	
11	4	TORX SCREW	T-20 (M6 x 20.0)
12	2	SET SCREW	M5 x 5.0mm
13	1	SEAL TAPE	TEFLON
14	3	MACHINE SCREW	M6 x 12.0
15	4	SPECIAL SCREW	
16	1	TORX WLENCH	T-20
17	1	L-WLENCH	

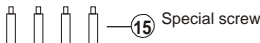
2. INSTALLATION

- Attach the mounting base (④) and plate (③) to the ceiling or wall using the supplied M6 tapping screws (⑤) and plastic bushings(①).
- Wind Teflon tape (⑬) around both threaded ends of the pipe (about 20 times) for sealing.
NOTE: Use a silicone rubber sealant to seal the area where the mount base and the pipe meet (non in equipment).
- Fit the pipe (of which threads are covered by teflon tape) into the mount base (④), turn until it is securely fastened and **seal the area with silicone rubber sealant.**
- Pull all the required cables through the mount base(④) and pipe(⑥, ⑦).
- Align the housing (⑧) with the pipe and turn until it is securely fastened.
- Fasten the mount base (④), housing (⑧) using the set screw (⑫).
- Install the vandal proof dome housing to the housing (⑧) using M6 torx screws (T-20) (⑪).

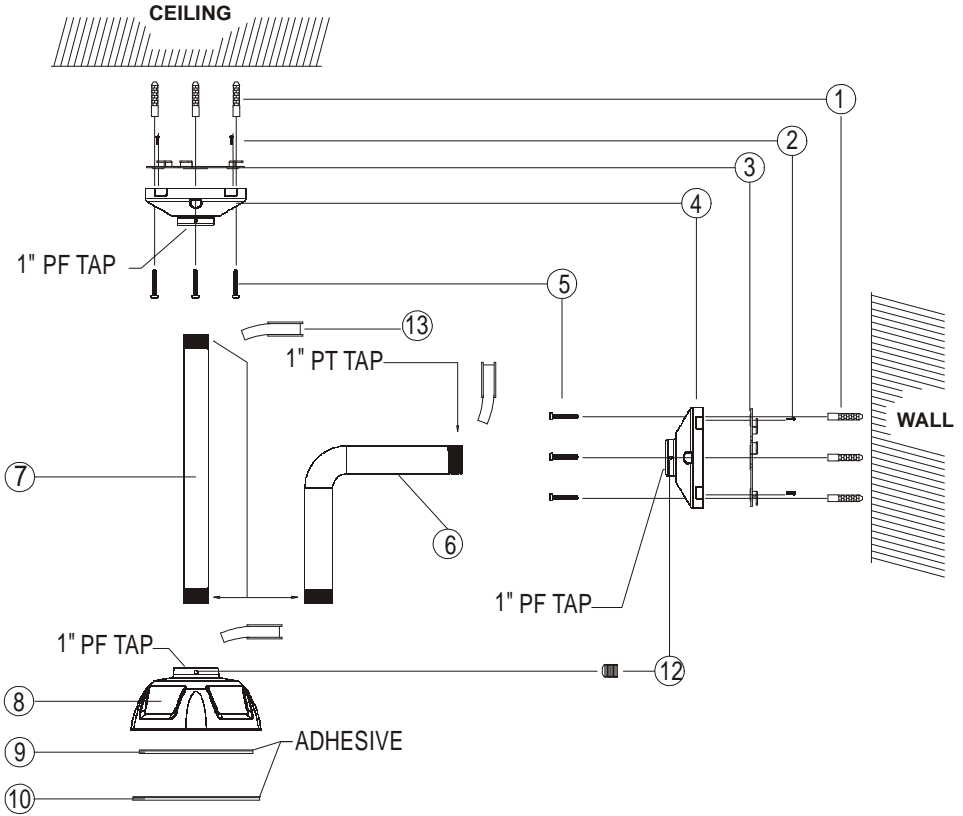
*Fit the screw holes of vandal dome housing into the screw holes of housing and screw up the M6 torx screws



*Screw up the special screw(15) before install the vandal proof dome housing.

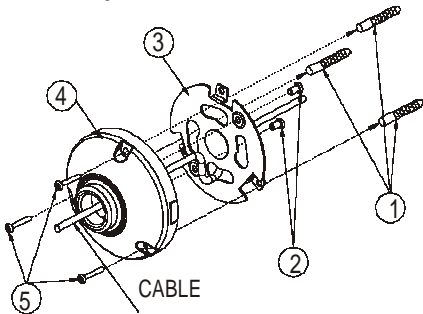


EXPLODE VIEW

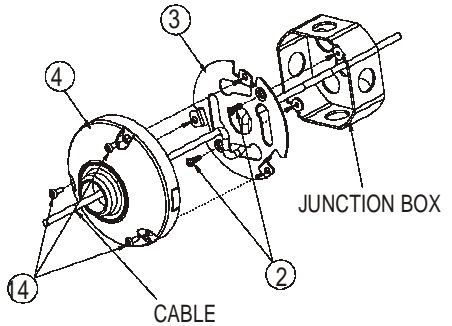


How to install the plate

- Without junction box

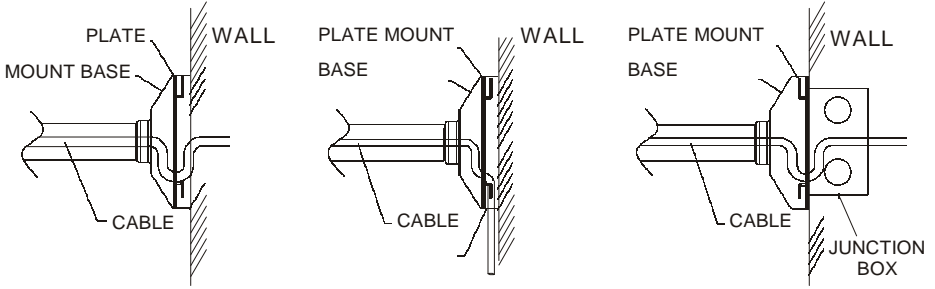


- With junction box



* ATTENTION TO THE PLATE SIDE.

3. SPECIFICATIONS

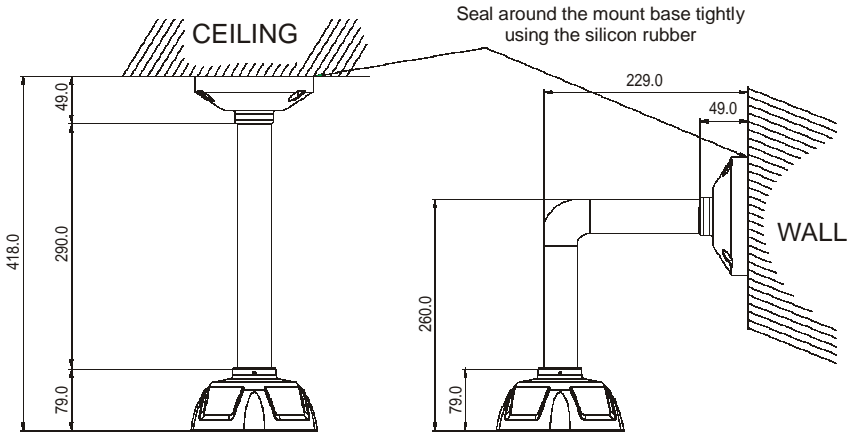


1. Cable passing through the wall

2. Cable on the wall (Remove the conduit knockout for cable passing through)

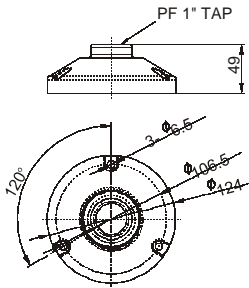
3. Cable Passing through the wall with the junction box (Attention to the plate side)

4. DIMENSION DRAWING



(Unit: mm)

[Mount Base Size]



Pipe Specification	1" PT TAP
Construction	Aluminum and steel
Maximum Load	Approx 5 kg
Weight - Unit Shipping	Approx 1.2 kg Approx 1.6 kg