

GAS EMERGENCY SHUT OFF SOLENOID VALVES

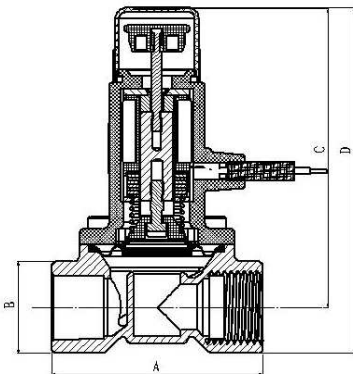
ART. 30009091-30009092



Gas pipe breaker for emergency use. It can be connected with gas leaking detection sensor, fire alarm circuit or other sensor. On site or remote shut down on gas supply (manually or automatically) is possible, hence ensuring the safety on gas usage. The valve features an auto-close when strong vibration is detected. After close, manual operation is required to turn on the valve. This feature meets safety regulations in the event of an accident.

Specifications:

- Gas type: town gas
- Pressure: 50kpa / 7PSI max
- Explosion proof mark: Exmb | |T4
- Driving voltage: from 9 to 12V DC
- Closing modes: current impulse or manual
- Close time: < 1 sec.
- Turn on: manual only
- Lead wire: 0.4 m
- Connection: G3/4" (art. 30009091); G1/2" (art. 30009092)
- Case: brass and plastic
- Gasket: NBR rubber
- Operating temperature: from -10°C to +50°C
- Dimensions: see diagram



Art.	A (mm)	B (mm)	C (mm)	D (mm)
30009092	64	28	89	103
30009091	67	34	92	109

Operating instructions:

1. There are two ways to close the valve:
 - (a) applying an electric impulse of 1 sec.
 - (b) pressing the red knob (must open the protective cover first). After this operation, the valve remains closed.
Note: the protective cover must remain on position at all time.
2. When the valves is closed, manually pull the red knob up to turn it on. Then the valve remains on.
Note: the valve may not to be pulled up if gas pressure on both sides (inlet and outlet) is not balanced. Take necessary action to ensure that they are balanced, then pull the knob up again. Force pulling it may result in damage to the valve.
3. The valve will close automatically when it detects strong vibrations. Should this feature fails, notify the technician or manufacturer for repair.
4. After closing, careful inspection is required. Do exercise caution when the valve needs to be turned on again.

Installation requirements:

1. Only a qualified technician can install this valve.
2. The valve must be installed AFTER the indoor main valve.
3. The valve should be installed in the gas flow direction marked on the valve body. The coil must not be placed in downward position. The valve may be installed horizontally or vertically.
4. The valve control wires should be connected correctly. **White** wire indicates **positive** while **black** wire stands for **negative**. Mismatch leads to fatal consequences.
5. During pipe maintenance, such as pressurized pipe cleaning, the valve should removed to avoid damages to the valve sealing.
6. During pressure tests, the valve should be turned on.
7. The valve's opening knob can be pulled up when equal pressure have been reached at the inlet and the outlet of the valve.
8. Wrong polarity, wrong voltage or prolonged power on may damage the electromagnetic coil.
9. Our guarantee does not include any damage to the valve or loss of parts due to keeping or actions in violative regulations.
10. Inspection must be done regularly, open and close it. In case of failure, notify the technician immediately for repair.

Cabling requirements:

- Cable: dual core, 3 x 0.75mm² or above
- Length of cable: 50 m max



Via Don Arrigoni, 5 24020 Rovetta S. Lorenzo (Bergamo)

<http://www.comelitgroup.com> e-mail: export.department@comelit.it